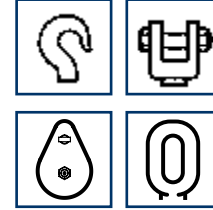
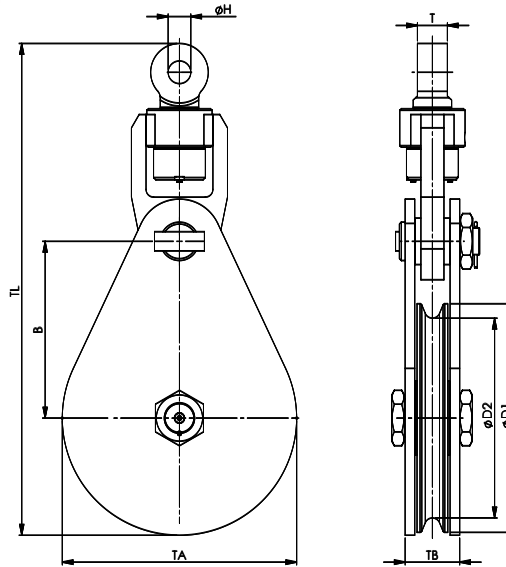


## SNATCH BLOCKS



- HOOK
- CLEVIS
- TAILBORD
- OBLONG EYE

MODEL NO.	WLL (UST)	FOR WIRE ØD INCH	HOOK SIZE	DIMENSIONS (INCH)								WEIGHT (LBS)
				ØD1	ØD2	B	O	TA	TB	TC (TL)		
VB 240.28.1.20.S	22	1 - 11/8	11.8	9.4	10.0	1.5	1.9	12.2	3.3	28.9	120	
VB 240.28.1.55.S	60	1 - 1-1/8	11.8	9.4	11.4	2.3	3.1	12.2	5.6	37.8	385	
VB 300.32.1.20.S	22	11/8 - 11/4	14.4	11.8	11.3	1.5	1.9	14.8	3.3	31.4	130	
VB 240.28.1.25.S	27.5	1 - 11/8	11.8	9.4	10.0	1.6	2.1	12.2	3.3	28.6	125	
VB 300.32.1.25.S	27.5	11/8 - 11/4	14.4	11.8	11.3	1.6	2.1	14.8	3.3	31.2	140	
VB 300.32.1.27.S	30	1-1/8 - 1-1/4	14.4	11.8	11.3	1.7	2.2	14.8	3.3	34.6	165	
VB 390.26.1.25.S	27.5	7/8 - 1	17.7	15.4	13.8	2.1	2.8	16.1	4.4	39.5	265	
VB 345.32.1.32.S	35	11/8 - 11/4	15.7	13.6	12.8	2.1	2.8	16.1	4.4	37.4	265	
VB 345.36.1.32.S	35	11/4 - 13/8	15.7	13.6	12.8	2.1	2.8	16.1	4.4	37.4	265	
VB 390.32.1.32.S	35	11/8 - 11/4	17.7	15.4	13.8	2.1	2.8	18.5	4.4	39.5	310	
VB 390.38.1.32.S	35	13/8 - 11/2	17.7	15.4	13.8	2.1	2.8	18.5	4.4	39.5	310	
VB 430.32.1.32.S	35	11/8 - 11/4	19.5	16.9	14.8	2.1	2.8	20.1	4.4	41.3	330	
VB 430.38.1.32.S	35	13/8 - 11/2	19.5	16.9	14.8	2.1	2.8	20.1	4.4	41.3	330	
VB 520.32.1.32.S	35	11/8 - 11/4	23.4	20.5	17.1	2.1	2.8	24.0	4.4	45.6	330	
VB 430.32.1.36.5.S	40	11/8 - 11/4	19.5	16.9	15.7	2.1	2.8	20.1	4.8	42.7	440	
VB 430.38.1.36.5.S	40	13/8 - 11/2	19.5	16.9	15.7	2.1	2.8	20.1	4.8	42.7	440	
VB 520.38.1.55.S	60	13/8 - 11/2	23.4	20.5	18.1	2.3	3.1	24.0	5.6	50.4	680	
VB 520.44.1.55.S	60	11/2 - 13/4	23.4	20.5	18.1	2.3	3.1	24.0	5.6	50.4	680	
VB 520.52.1.55.S	60	13/4 - 2	23.4	20.5	18.1	2.3	3.1	24.0	5.6	50.4	680	
VB 520.52.1.75.S	82.5	13/4 - 2	23.4	20.5	18.1	2.9	3.9	24.0	5.6	52.6	726	
VB 630.58.1.75.S	82.5	13/4 - 21/4	29.5	24.8	22.4	2.9	3.9	30.3	8.0	71.5	1265	
VB 710.68.1.100.S	110	21/2 - 25/8	31.5	28.0	25.6	3.4	4.7	32.3	8.0	75.2	1605	
VB 800.76.1.125.S	137.5	23/4 - 3	35.0	31.5	29.5	3.4	4.7	36.2	8.0	84.6	2200	

Also Available in Double Sheave Models:

VB 240.28.2.20.S*	22	1 - 11/8	11.8	9.4	10.0	1.5	1.9	12.2	6.2	26.9	200
VB 300.32.2.32.S	35	11/8 - 11/4	14.4	11.8	11.3	2.1	2.8	14.8	6.2	32.8	265
VB 430.28.2.73.S	80	11/8 - 11/2	19.5	16.9	16.1	2.8	3.9	20.1	9.6	61.0	1050

\* Available with and without Dead End

- The dimensions in this table are indicative only. A drawing will always be submitted prior to production and will be the leading document when discussing dimensions.
- Blocks shown here are standard models; inquiries for custom versions are welcome.
- Refer to wire rope manufacturers D/d ratio guideline.

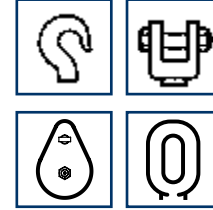
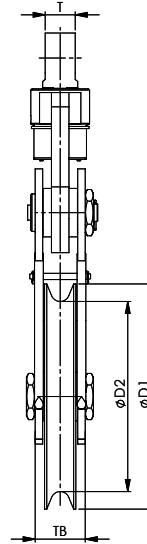
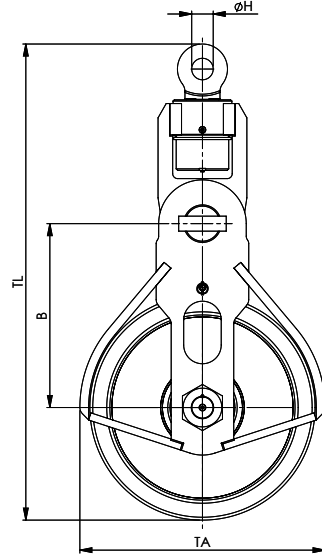
Minimum Ultimate Strength = 4 x WLL.



**ROPEBLOCK**

## HIGH CAPACITY LIGHT WEIGHT BLOCKS

### LIGHT WEIGHT TILT-UP BLOCKS



- HOOK
- CLEVIS
- TAILBORD
- OBLONG EYE

MODEL NO.	WLL (UST)	FOR WIRE ØD INCH	DIMENSIONS (INCH)								WEIGHT (LBS)
			ØD1	ØD2	B	ØH	T	TA	TB	TL	
HCLW 240.28.1.25.S	27.5	1 - 11/8	11.8	9.4	10.2	1.6	2.1	14.0	4.0	28.7	155
HCLW 355.32.1.27.S	30	11/8 - 11/4	16.5	14.0	14.8	1.7	2.2	18.7	4.4	39.1	265
HCLW 355.36.1.32.S	35	11/4 - 13/8	16.5	14.0	14.8	1.7	2.2	18.7	4.8	39.1	265
HCLW 430.32.1.27.S	30	11/8 - 11/4	19.5	16.9	16.3	1.7	2.2	21.7	4.4	42.2	240
HCLW 430.32.1.32.S	35	11/8 - 11/4	19.5	16.9	16.3	1.7	2.2	21.7	4.8	42.1	285
HCLW 430.38.1.32.S	35	11/4 - 11/2	19.5	16.9	16.3	1.7	2.2	21.7	4.8	42.1	255
HCLW 430.38.1.40.S	45	11/4 - 11/2	19.5	16.9	16.3	2.0	2.8	21.7	4.8	43.6	320
HCLW 520.38.1.55.S	60	11/4 - 11/2	23.4	20.5	19.1	2.8	3.9	25.6	5.2	51.9	420
HCLW 520.44.1.55.S	60	11/4 - 13/4	23.4	20.5	19.1	2.3	3.1	25.6	5.2	51.5	420
HCLW 520.52.1.55.S	60	13/4 - 2	23.4	20.5	19.1	2.3	3.1	25.6	5.2	51.5	420
HCLW 630.58.1.81.S	90	2 - 21/4	28.0	24.8	22.6	2.9	3.9	30.6	6.0	62.4	880
HCLW 630.64.1.81.S	90	21/4 - 21/2	28.0	24.8	22.6	2.9	3.9	30.6	6.0	62.4	880
HCLW 760.70.1.100.S	110	21/2 - 23/4	35.4	29.9	28.9	3.4	4.7	38.6	7.9	74.9	1200
HCLW 760.76.1.100.S	110	23/4 - 3	35.4	29.9	28.9	3.4	4.7	38.6	7.9	74.9	1200
HCLW 760.76.1.125.S	137.5	23/4 - 3	35.4	29.9	28.9	3.3	4.7	38.6	7.9	74.4	1320
HCLW 760.76.1.137.5.S	150	23/4 - 3	35.4	29.9	28.9	3.3	4.7	38.6	7.9	74.4	1540

- The dimensions in this table are indicative only. A drawing will always be submitted prior to production and will be the leading document when discussing dimensions.
- Blocks shown here are standard models; inquiries for custom versions are welcome.
- Refer to wire rope manufacturers D/d ratio guideline.

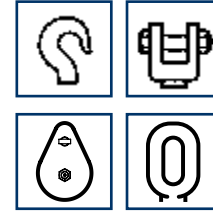
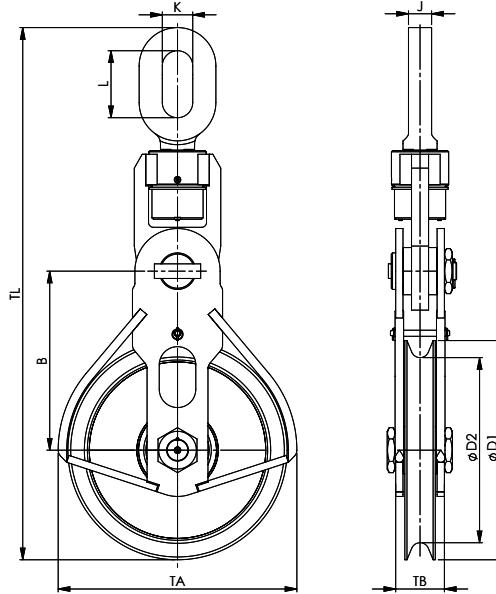
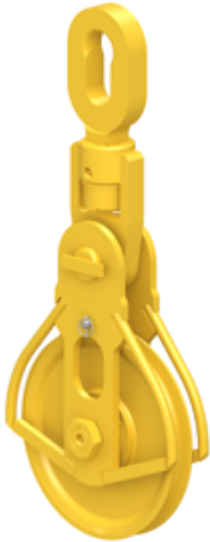
Minimum Ultimate Strength = 4 x WLL.



**ROPEBLOCK**

## HIGH CAPACITY LIGHT WEIGHT BLOCKS

### LIGHT WEIGHT TILT-UP BLOCKS

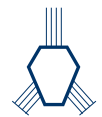


- HOOK
- CLEVIS
- TAILBORD
- OBLONG EYE

MODEL NO.	WLL (UST)	FOR WIRE ØD INCH	DIMENSIONS (INCH)									WEIGHT (LBS)
			ØD1	ØD2	B	J	K	L	TA	TB	TL	
HCLW 240.28.1.25.O	27.5	1 - 11/8	11.8	9.4	10.2	2.0	3.0	5.9	14.0	4.0	37.2	175
HCLW 355.32.1.27.O	30	11/8 - 11/4	16.5	14.0	14.8	2.4	3.1	6.9	18.7	4.4	47.0	290
HCLW 355.36.1.32.O	35	11/4 - 13/8	16.5	14.0	14.8	2.4	3.1	6.9	18.7	4.8	47.0	290
HCLW 430.32.1.27.O	30	11/8 - 11/4	19.5	16.9	16.3	2.4	3.1	6.9	21.7	4.4	50.0	275
HCLW 430.32.1.32.O	35	11/8 - 11/4	19.5	16.9	16.3	2.4	3.1	6.9	21.7	4.4	49.0	310
HCLW 430.38.1.32.O	35	11/4 - 11/2	19.5	16.9	16.3	2.4	3.1	6.9	21.7	4.8	50.0	290
HCLW 430.38.1.40.O	45	11/4 - 11/2	19.5	16.9	16.3	2.6	3.5	7.9	21.7	4.8	51.6	340
HCLW 520.38.1.55.O	60	11/4 - 11/2	23.4	16.9	19.1	2.6	3.5	7.5	25.6	5.2	60.0	480
HCLW 520.44.1.55.O	60	11/2 - 13/4	23.4	20.5	19.1	2.8	3.9	8.7	25.6	5.2	60.5	480
HCLW 520.52.1.55.O	60	13/4 - 2	23.4	20.5	19.1	2.8	3.9	8.7	25.6	5.2	60.5	480
HCLW 630.58.1.81.O	90	2 - 21/4	28.0	24.8	22.6	3.1	4.3	9.8	30.6	6.0	74.1	915
HCLW 630.64.1.81.O	90	21/4 - 21/2	28.0	24.8	22.6	3.1	4.3	9.8	30.6	6.0	74.1	915
HCLW 760.70.1.100.O	110	21/2 - 23/4	35.4	29.9	28.9	3.7	4.9	10.8	38.6	7.9	86.2	1300
HCLW 760.76.1.100.O	110	23/4 - 3	35.4	29.9	28.9	3.7	4.9	10.8	38.6	7.9	86.2	1300
HCLW 760.76.1.125.O	137.5	23/4 - 3	35.4	29.9	28.9	3.9	4.9	10.8	38.6	7.9	86.2	1430
HCLW 760.76.1.137.5.O	150	23/4 - 3	35.4	29.9	28.9	3.9	4.9	10.8	38.6	7.9	86.2	1650

- The dimensions in this table are indicative only. A drawing will always be submitted prior to production and will be the leading document when discussing dimensions.
- Blocks shown here are standard models; inquiries for custom versions are welcome.
- Refer to wire rope manufacturers D/d ratio guideline.

Minimum Ultimate Strength = 4 x WLL.



**ROPEBLOCK**