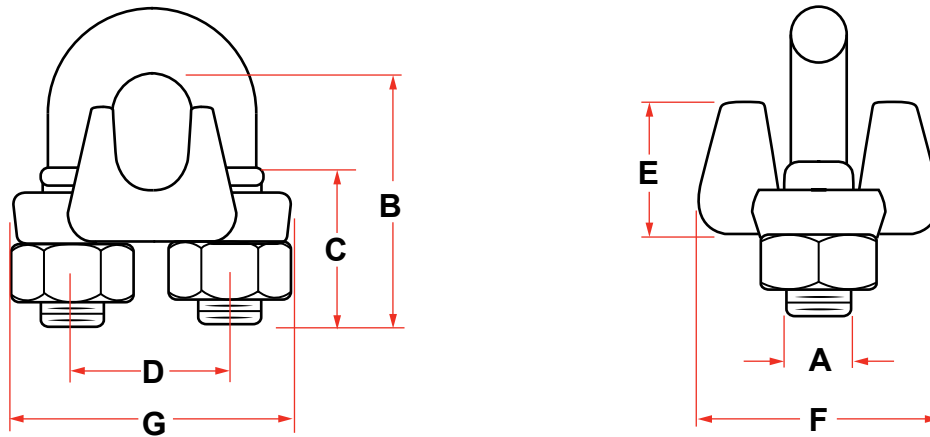


WIRE ROPE CLIPS



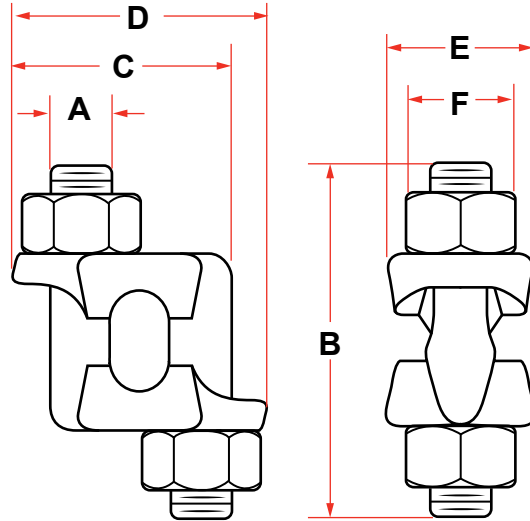
DROP FORGED U-BOLT TYPE

Meets Federal Specification FF-C-450 Type 1 Class-1.

CLIP AND ROPE SIZE (INCHES)	DIMENSIONS (INCHES)							MINIMUM NUMBER OF CLIPS REQUIRED	TORQUE IN FT. (LBS.)	MINIMUM ROPE TURNBACK (INCHES)	WEIGHT LBS. PER 100
	A	B	C	D	E	F	G				
1/8	7/32	23/32	7/16	15/32	13/32	13/16	15/16	2	4.5	3-1/4	5
3/16	1/4	31/32	9/16	19/32	1/2	15/16	1-5/32	2	4.5	3-3/4	9
1/4	5/16	1-1/32	1/2	3/4	21/32	1-3/16	1-7/16	2	15	4-3/4	18
5/16	3/8	1-3/8	3/4	7/8	23/32	1-5/16	1-11/16	2	30	5-1/4	30
3/8	7/16	1-1/2	3/4	1	29/32	1-5/8	1-15/16	2	45	6-1/2	42
7/16	1/2	1-7/8	1	1-3/16	1-1/32	1-13/16	2-9/32	2	65	7	70
1/2	1/2	1-7/8	1	1-3/16	1-1/8	1-29/32	2-9/32	3	65	11-1/2	75
9/16	9/16	2-1/4	1-1/4	1-5/16	1-7/32	2-1/16	2-1/2	3	95	12	100
5/8	9/16	2-3/8	1-1/4	1-5/16	1-11/32	2-1/16	2-1/2	3	95	12	100
3/4	5/8	2-3/4	1-7/16	1-1/2	1-13/32	2-1/4	2-27/32	4	130	18	150
7/8	3/4	3-1/8	1-5/8	1-3/4	1-19/32	2-7/16	3-5/32	4	225	19	240
1	3/4	3-1/2	1-13/16	1-7/8	1-25/32	2-5/8	3-15/32	5	225	26	250
1-1/8	3/4	3-7/8	2	2	1-29/32	2-13/16	3-19/32	6	225	34	310
1-1/4	7/8	4-1/4	2-1/8	2-5/16	2-3/16	3-1/8	4-1/8	7	360	44	460
1-3/8	7/8	4-5/8	2-5/16	2-3/8	2-5/16	3-1/8	4-3/16	7	360	44	520
1-1/2	7/8	4-15/16	2-3/8	2-19/32	2-17/32	3-13/32	4-7/16	8	360	54	590
1-5/8	1	5-5/16	2-5/8	2-3/4	2-21/32	3-5/8	4-3/4	8	430	58	730
1-3/4	1-1/8	5-3/4	2-3/4	3-1/16	2-15/16	3-13/16	5-9/32	8	590	61	980
2	1-1/4	6-7/16	3	3-3/8	3-9/32	4-7/16	5-7/8	8	750	71	1340
2-1/4	1-1/4	7-1/8	3-3/16	3-7/8	3-15/16	4-9/16	6-3/8	8	750	73	1570
2-1/2	1-1/4	7-11/16	3-7/16	4-1/8	4-7/16	4-11/16	6-5/8	9	750	84	1790
2-3/4	1-1/4	8-5/16	3-9/16	4-3/8	4-7/8	5	6-7/8	10	750	100	2200
3	1-1/2	9-3/16	3-7/8	4-3/4	5-11/32	5-5/16	7-5/8	10	1200	106	3200
3-1/2	1-1/2	10-3/4	4-1/2	5-1/2	6	6-3-16	8-3/8	12	1200	149	4000

Furnished in galvanized finish. Also Available in stainless steel and bronze.

DROP FORGED TWIN BASE TYPE (FIST GRIP)



Meets Federal Specification FF-C-450 Type III.

CLIP AND ROPE SIZE (INCHES)	DIMENSIONS (INCHES)						MINIMUM NUMBER OF CLIPS REQUIRED	TORQUE IN FT. (LBS.)	MINIMUM ROPE TURNBACK (INCHES)	WEIGHT LBS. PER 100
	A	B	C	D	E	F				
3/16	3/8	1-5/8	1-1/4	1-15/32	15/16	11/16	2	30	4	21.00
1/4	3/8	1-5/8	1-1/4	1-15/32	15/16	11/16	2	30	4	21.00
5/16	3/8	1-15/16	1-11/32	1-9/16	1-1/16	11/16	2	30	5	27.08
3/8	7/16	2-3/8	1-19/32	1-7/8	1-1/16	3/4	2	45	5-1/2	45.00
7/16	1/2	2-3/4	1-7/8	2-3/16	1-1/4	7/8	2	65	6-1/2	65.00
1/2	1/2	2-3/4	1-7/8	2-3/16	1-1/4	7/8	3	65	11	65.00
9/16	5/8	3-1/2	2-9/32	2-5/8	1-1/2	1-1/16	3	130	12-3/4	112.50
5/8	5/8	3-1/2	2-9/32	2-5/8	1-1/2	1-1/16	3	130	13-1/2	112.50
3/4	3/4	3-3/4	2-11/16	3-1/16	1-13/16	1-1/4	3	225	16	143.75
7/8	3/4	4-1/8	2-31/32	3-1/8	2-1/8	1-1/4	4	225	26	200.60
1	3/4	4-5/8	3-1/16	3-17/32	2-1/4	1-1/4	5	225	37	260.00
1-1/8	7/8	5-1/4	3-7/16	3-29/32	2-3/8	1-7/16	5	360	41	325.00
1-1/4	7/8	5-1/4	3-9/16	4-1/32	2-1/2	1-7/16	6	360	55	425.00
1-3/8	1	7	4-1/8	4-21/32	3	1-5/8	6	500	62	700.00
1-1/2	1	7	4-1/8	4-21/32	3	1-5/8	7	500	78	700.00

Furnished in galvanized finish. Also Available in stainless steel and bronze.