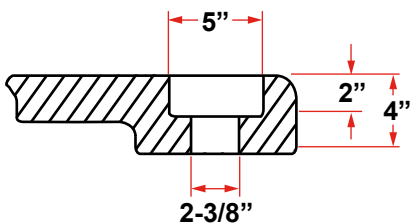
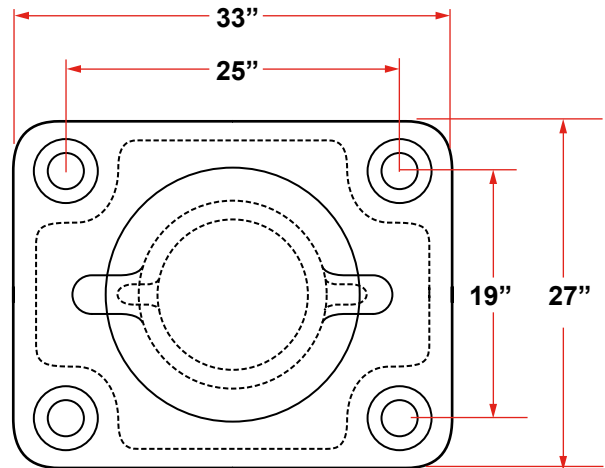
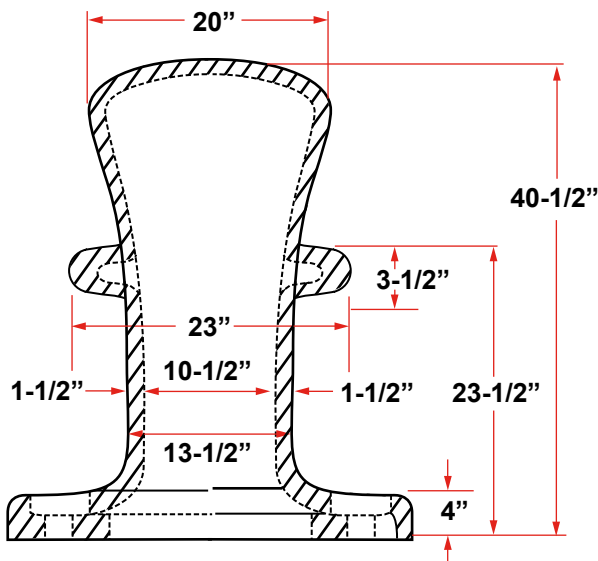


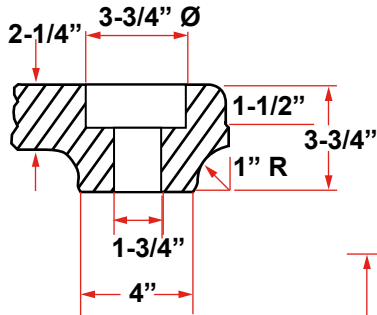
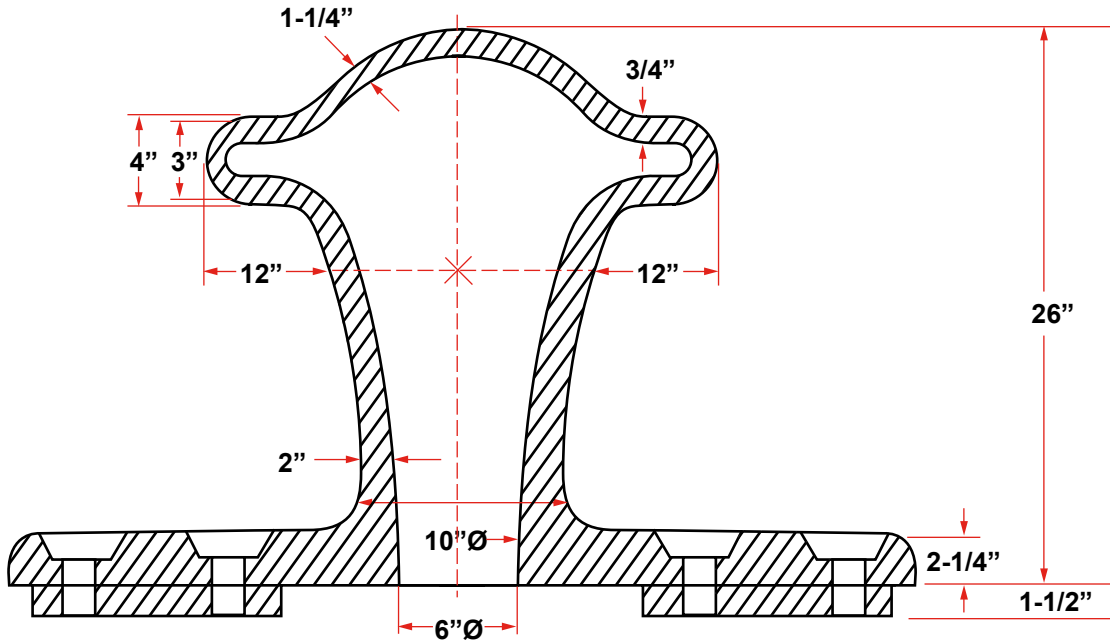
2" Ø CORE FOR
1-3/4" Ø BOLT

20 TON BOLLARD AMB-20

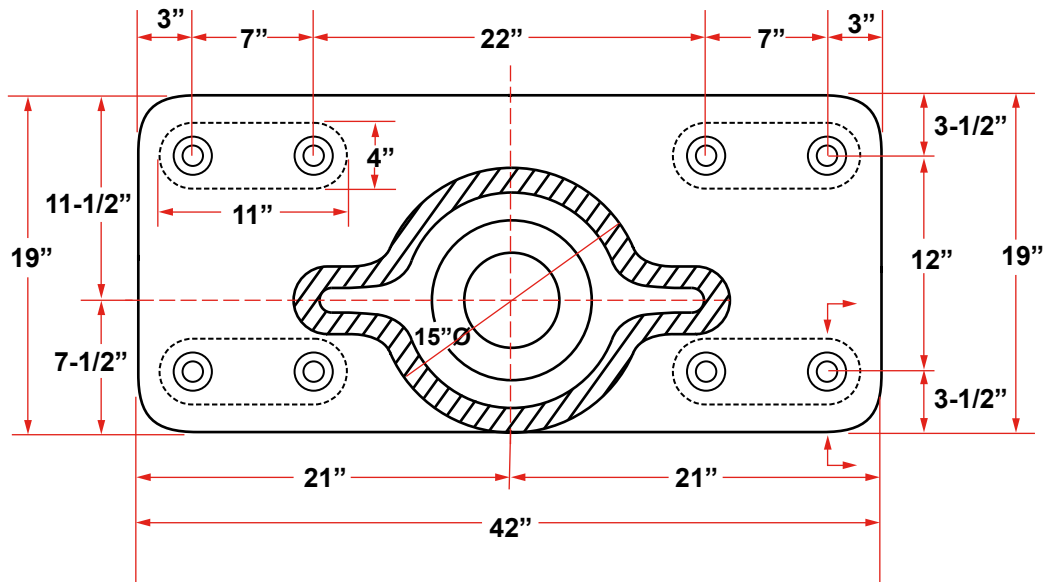
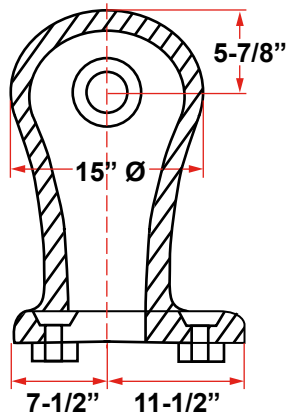


2-3/8" Ø CORE FOR
2-1/4" Ø BOLT

25 TON BOLLARD AMB-25

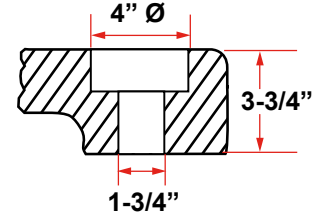
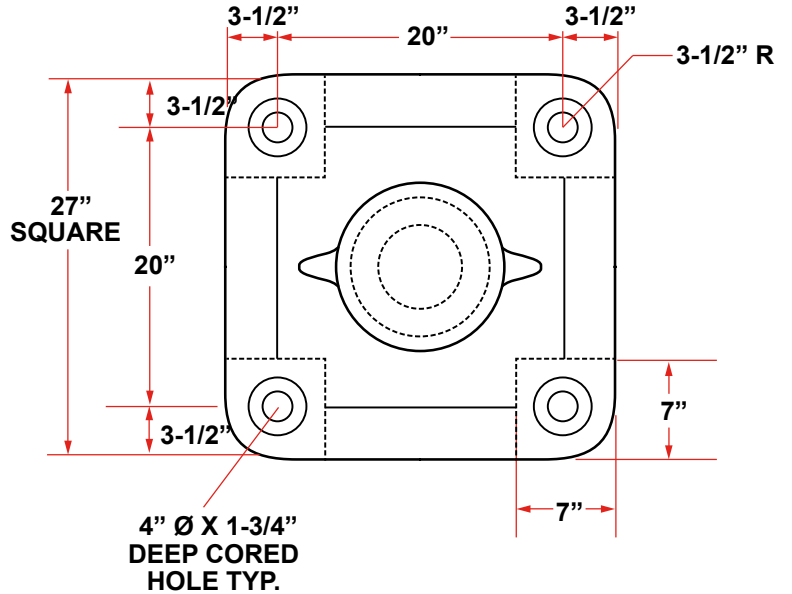
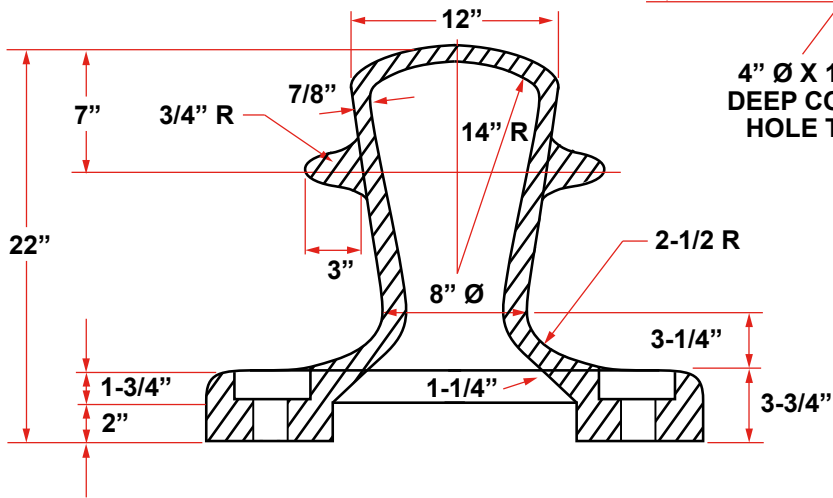


1-3/4" Ø CORE FOR
1-1/2" Ø BOLT



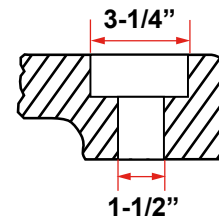
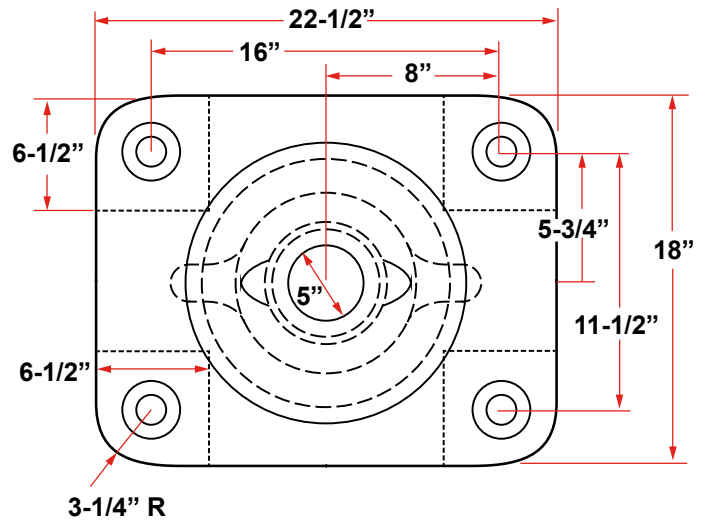
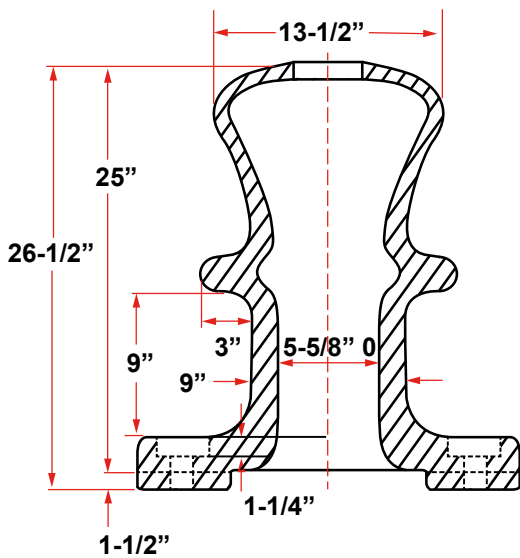
40 TON BOLLARD AMB-40

40 TON BOLLARD AMB-40A

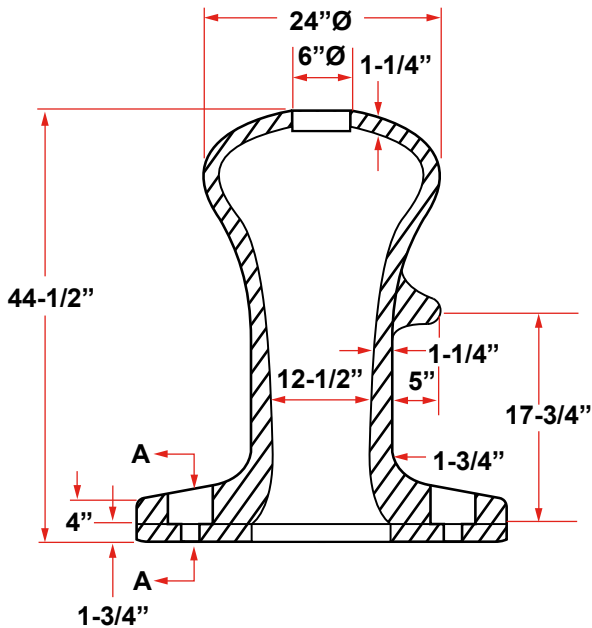


1-3/4" Ø CORE FOR
1-1/2" Ø BOLT

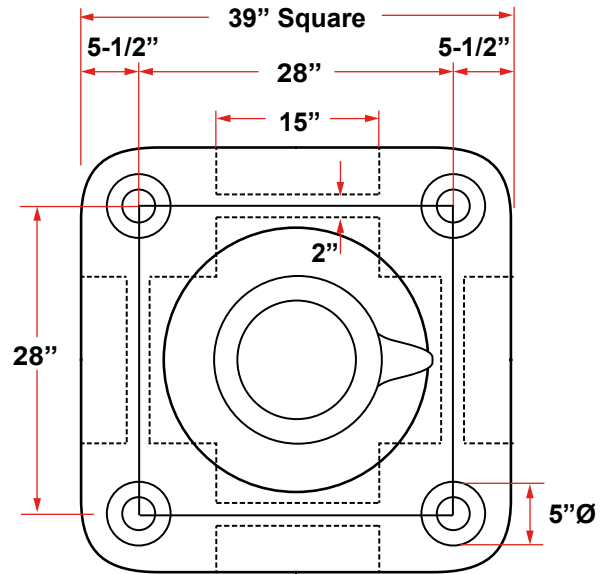
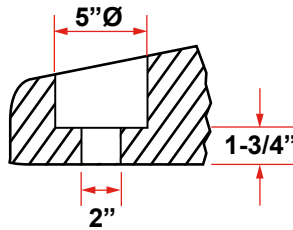
45 TON BOLLARD AMB-45



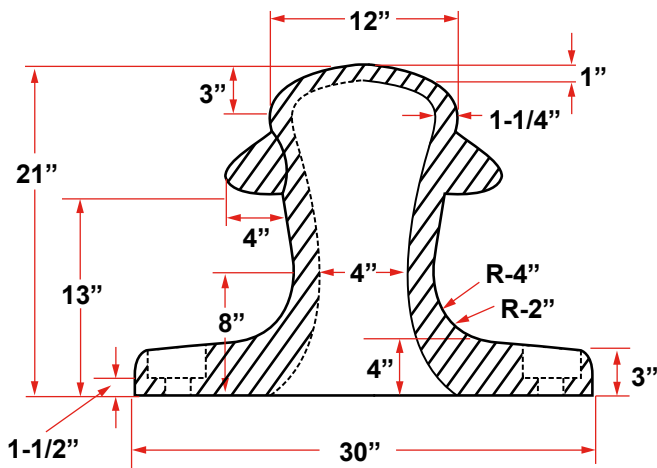
1-1/2" Ø CORE FOR
1-1/4" Ø BOLT



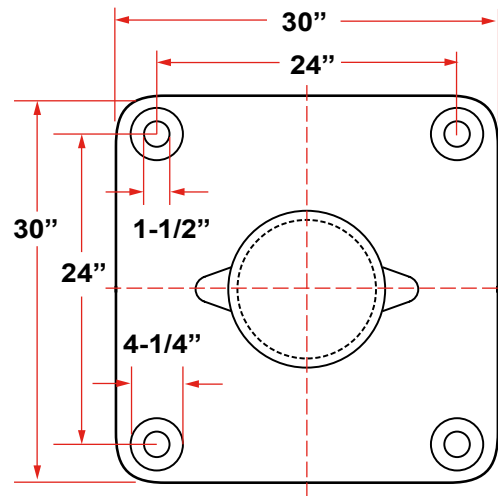
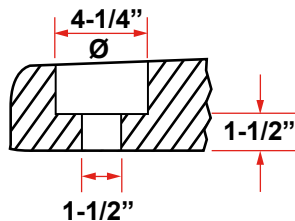
2" Ø CORE FOR
1-3/4" Ø BOLT



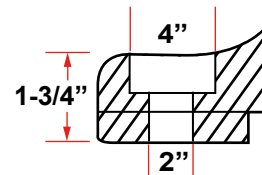
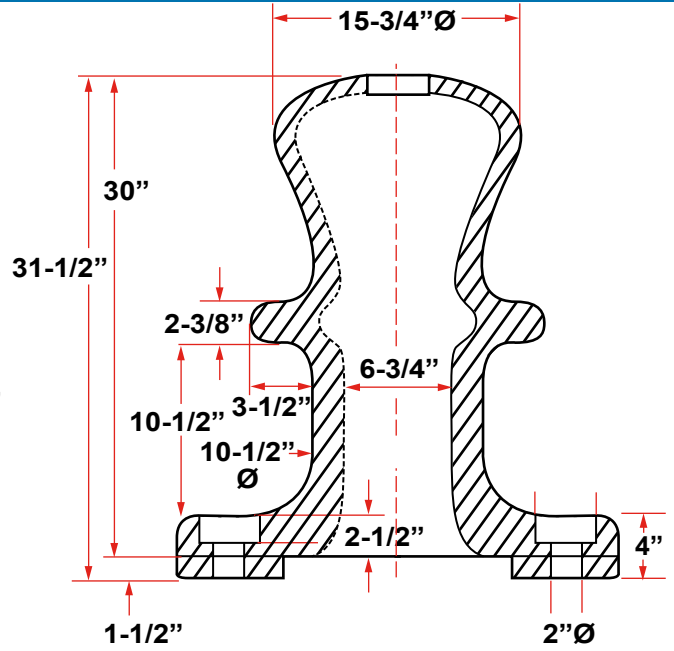
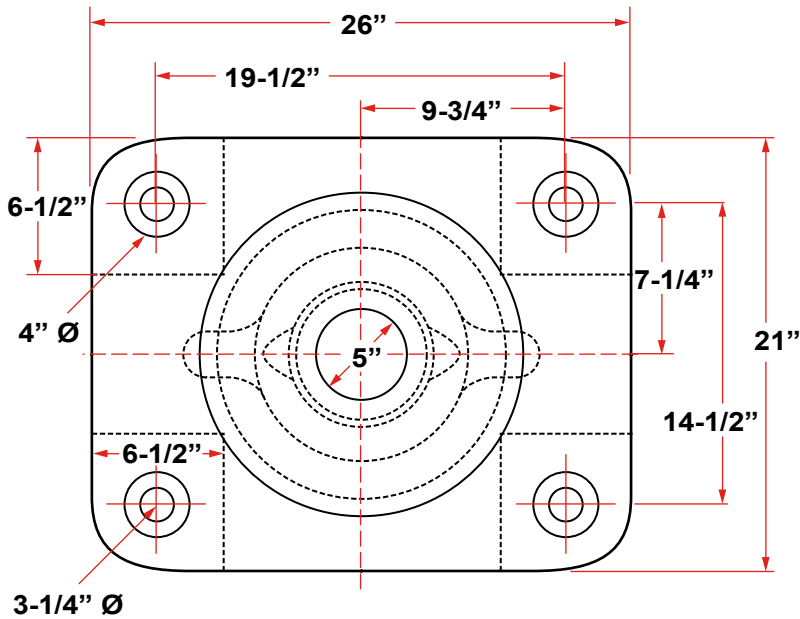
50 TON BOLLARD AMB-50



1-1/2" Ø CORE FOR
1-1/4" Ø BOLT

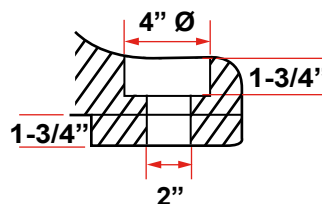
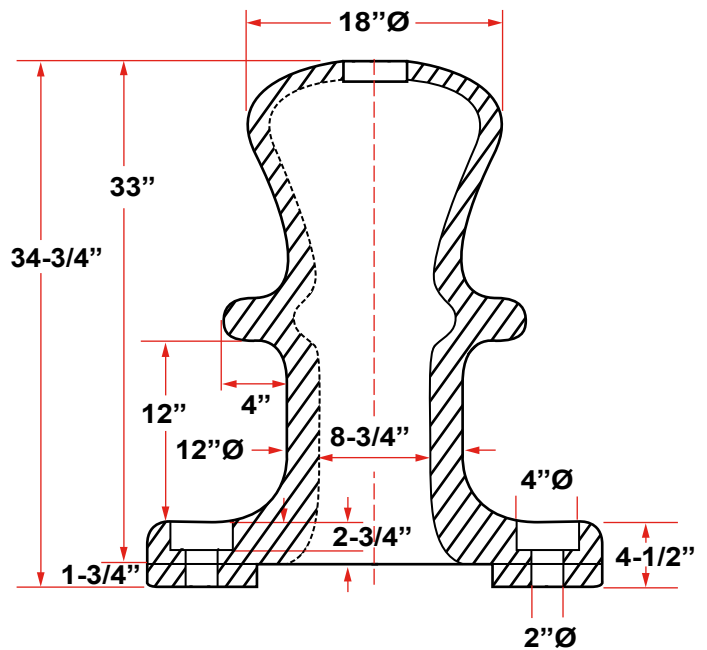
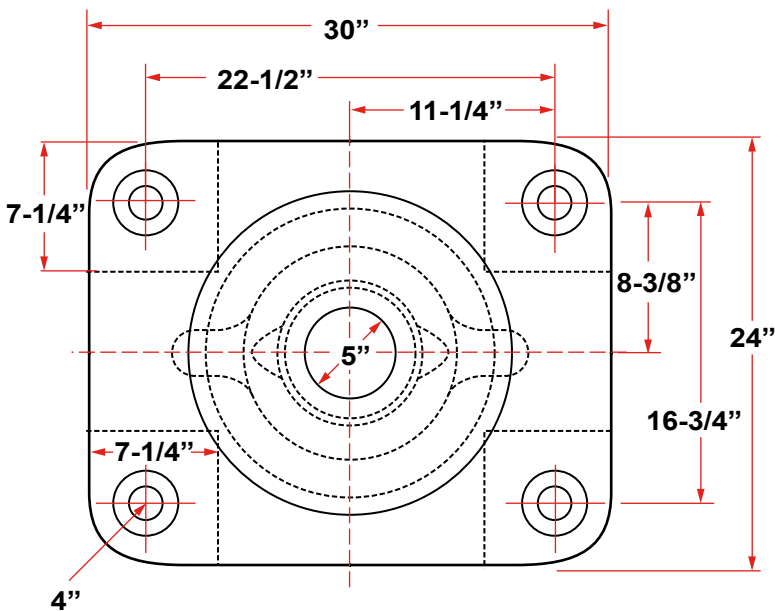


50 TON BOLLARD AMB-50A



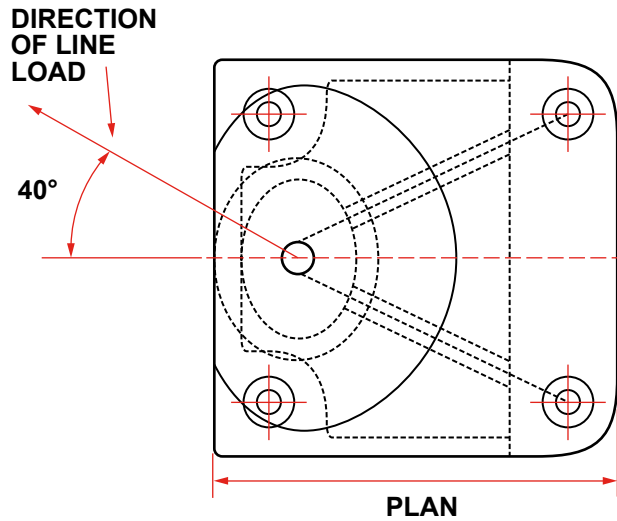
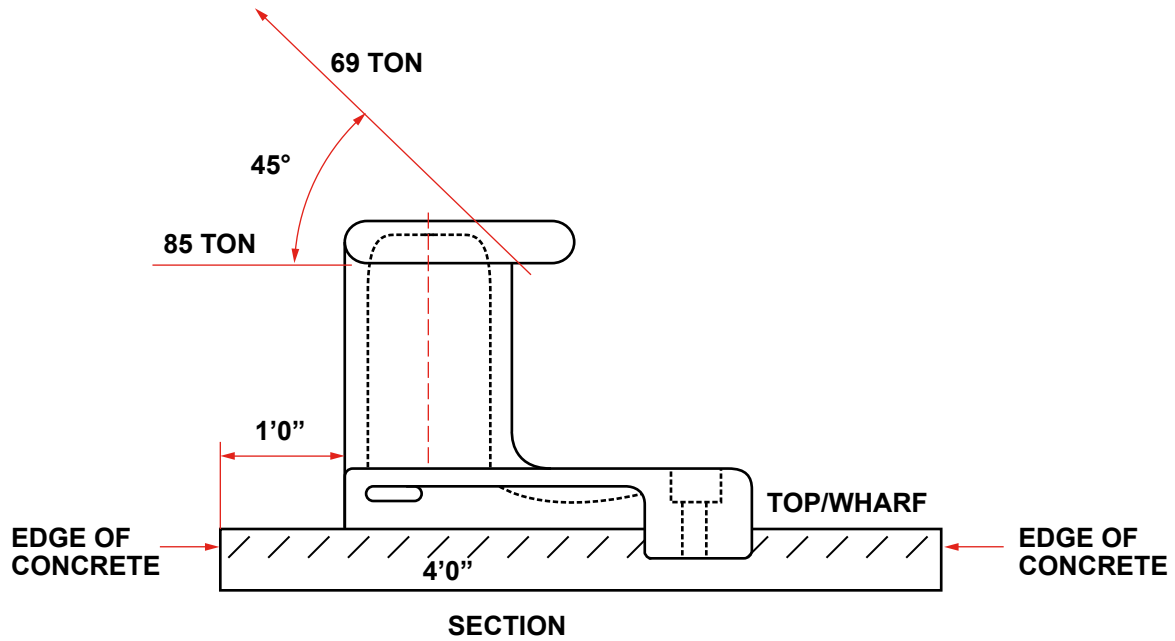
2" Ø CORE FOR
1-3/4" Ø BOLT

55 TON BOLLARD AMB-55

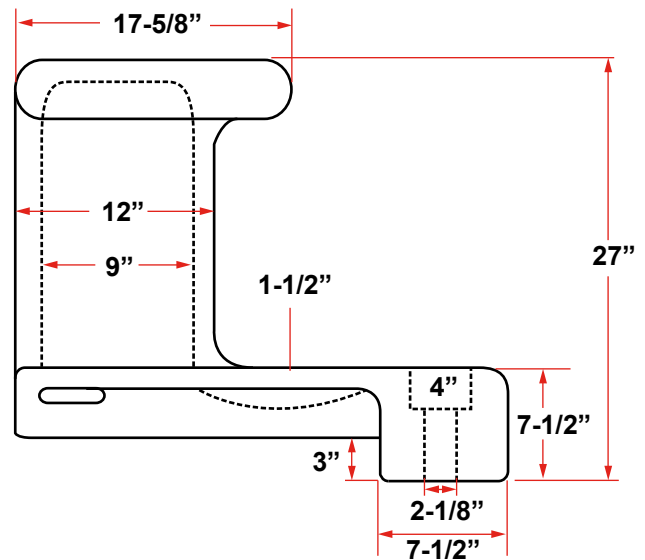
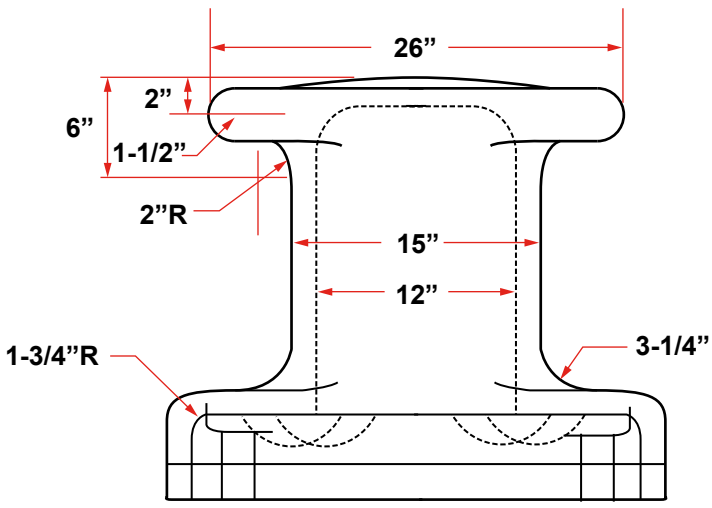
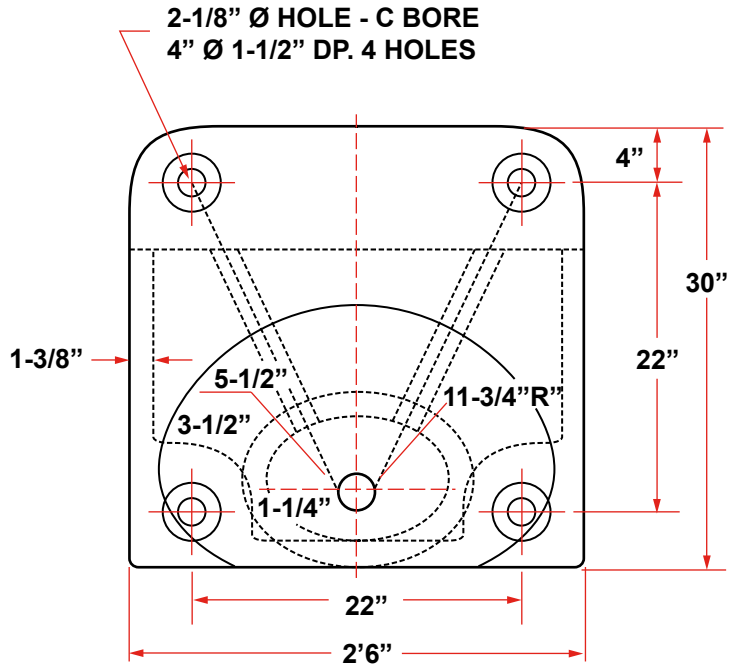


2" Ø CORE FOR
1-3/4" Ø BOLT

65 TON BOLLARD AMB-65

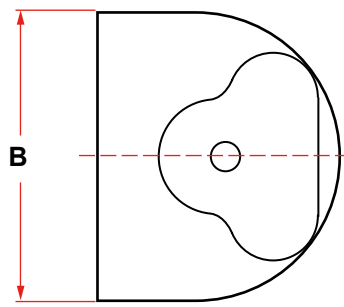
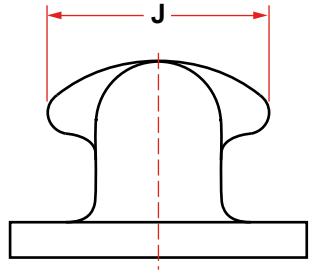
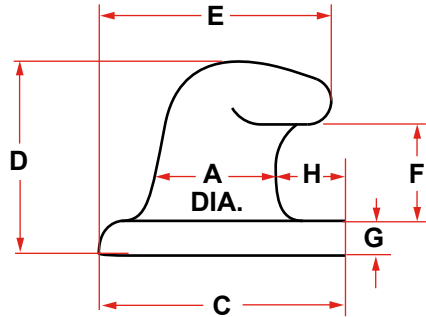


T-HEAD BOLLARD MOORING LINE LOAD



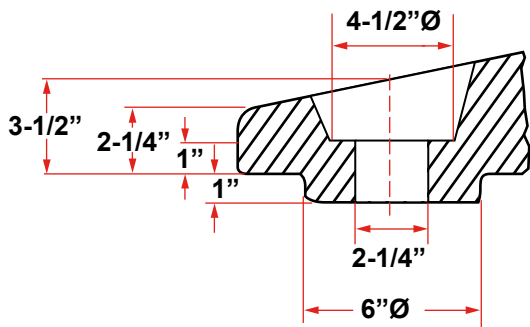
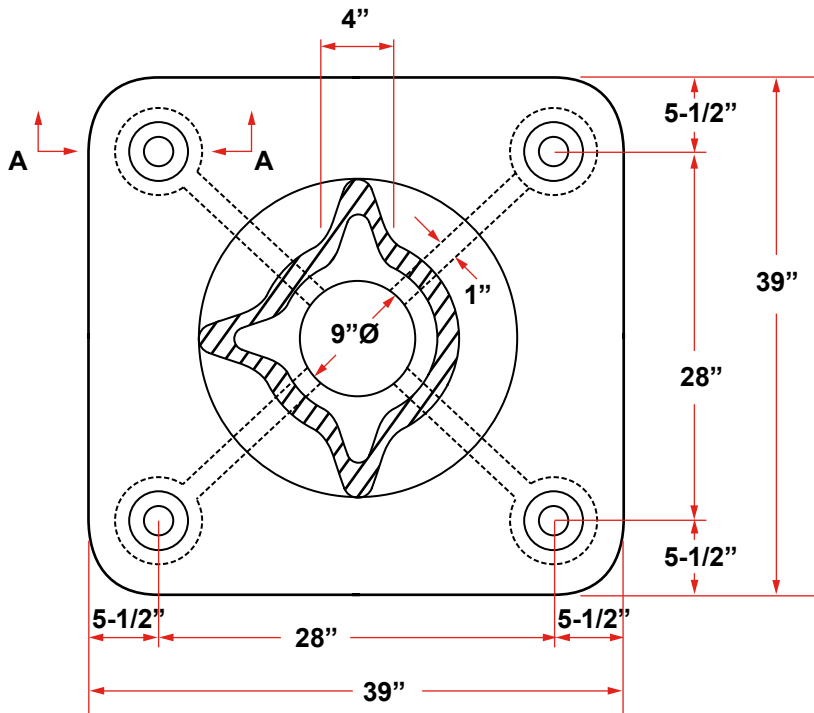
2 1/8" Ø CORE FOR
2" Ø BOLTS

**70 TON BOLLARD
AMB-70**

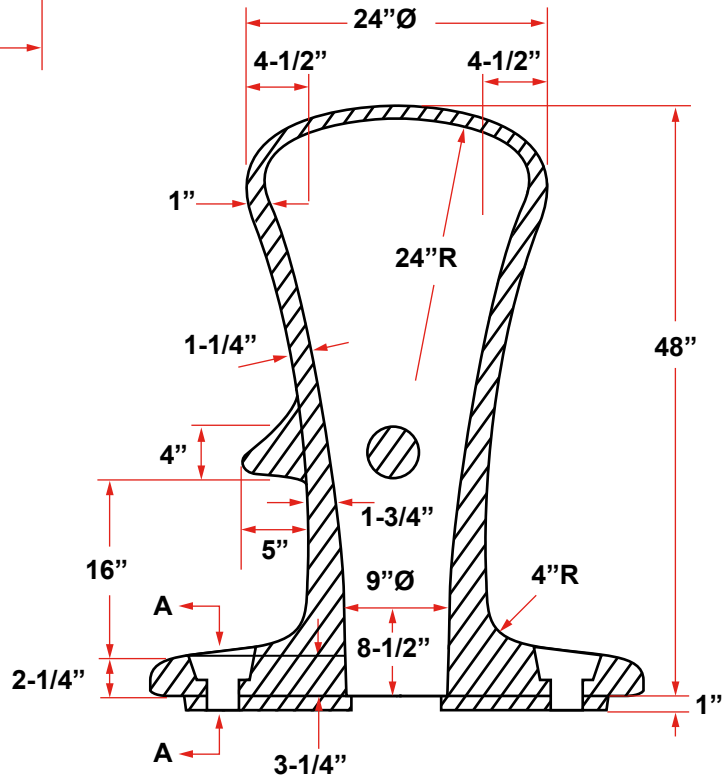


T-HEAD BOLLARD MOORING BOLLARD

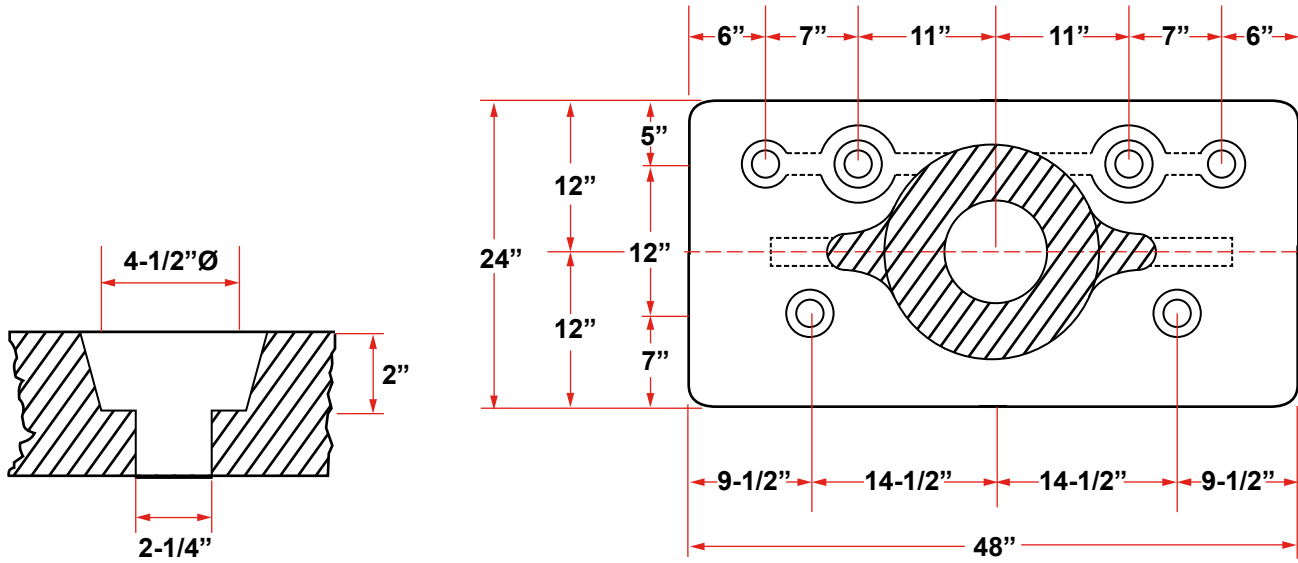
APPROXIMATE DIMENSIONS (INCHES)										
Load Tons	Type No.	A	B	C	D	E	F	G	H	J
50	X-5-A	11-3/4	31-1/2	25-1/2	19	22-1/2	9-1/2	3	8	23-1/2
75	X-9-A	13-1/2	31-1/2	28-1/4	20	24-1/4	10-1/4	3-1/2	8-3/4	25-1/2
100	X-10-A	14-3/4	39-1/4	32	23-1/2	28	12	4	10-3/4	29-1/2
150	X-15-A	17	42-1/2	35-1/2	26-1/4	32-3/4	13-3/4	4-3/8	11	31-1/2



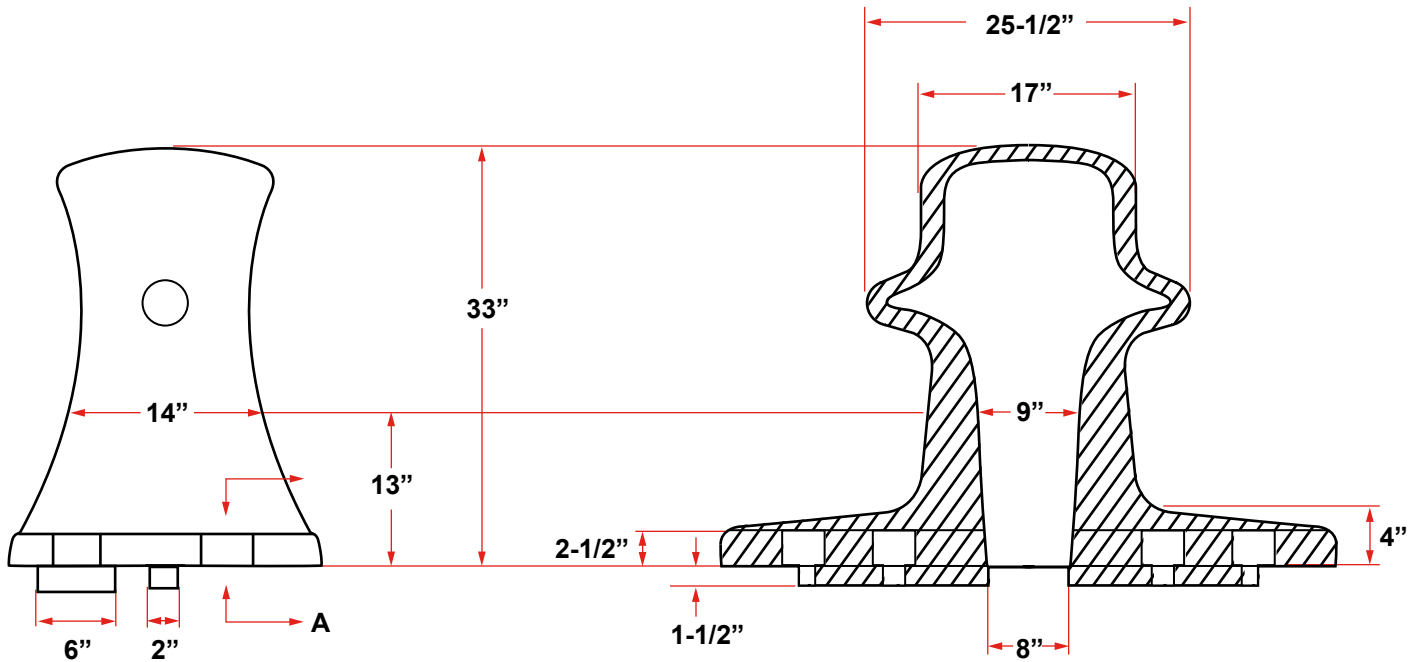
2-1/4" CORE HOLES FOR
2" Ø BOLTS



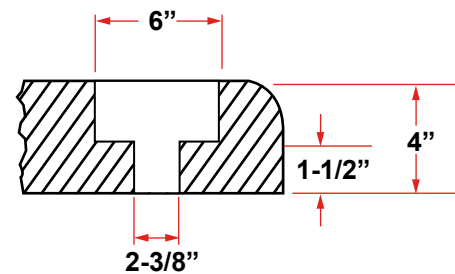
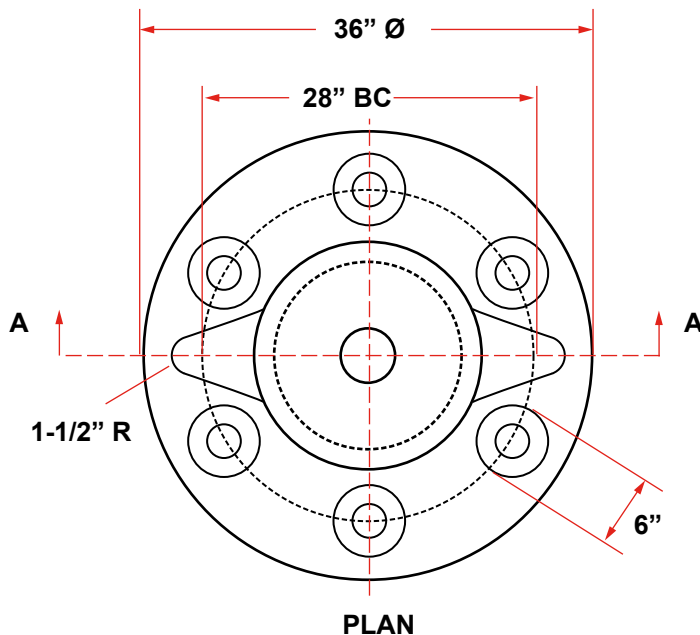
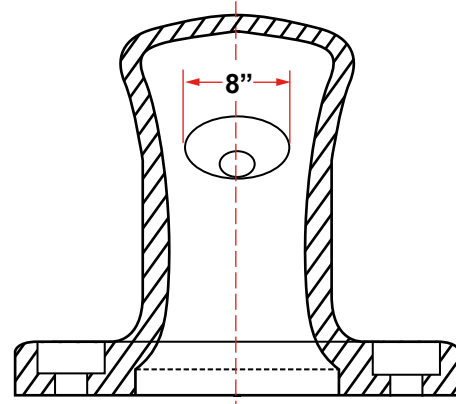
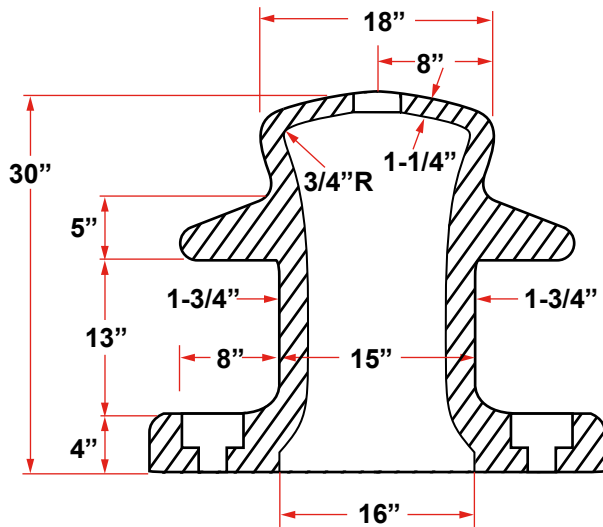
80 TON BOLLARD AMB-80



2-1/4" Ø CORE FOR
2" Ø BOLT

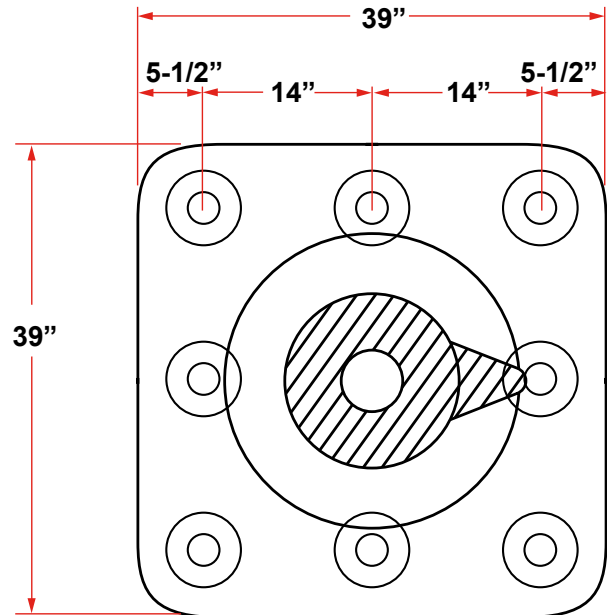
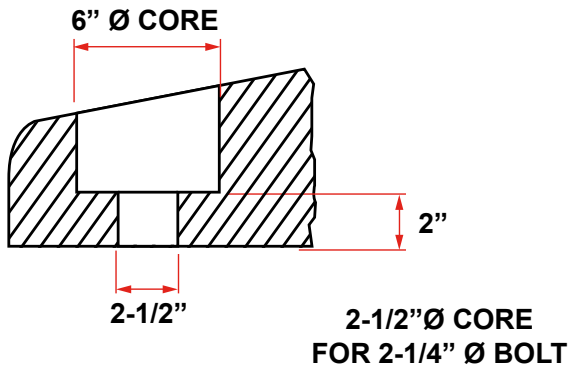
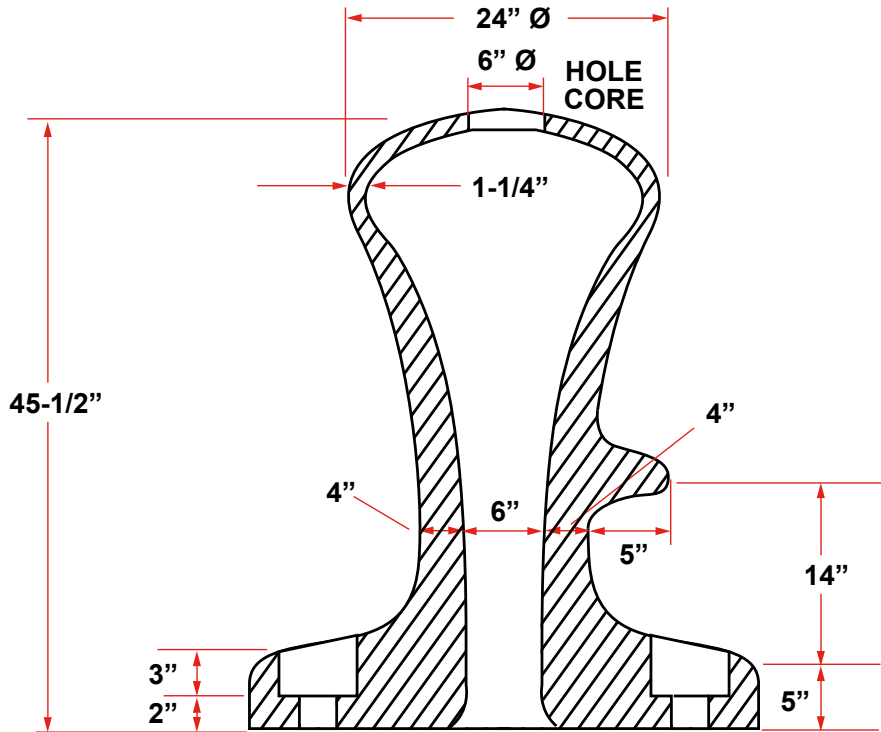


90 TON BOLLARD AMB-90

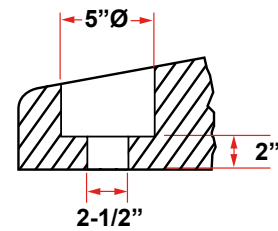
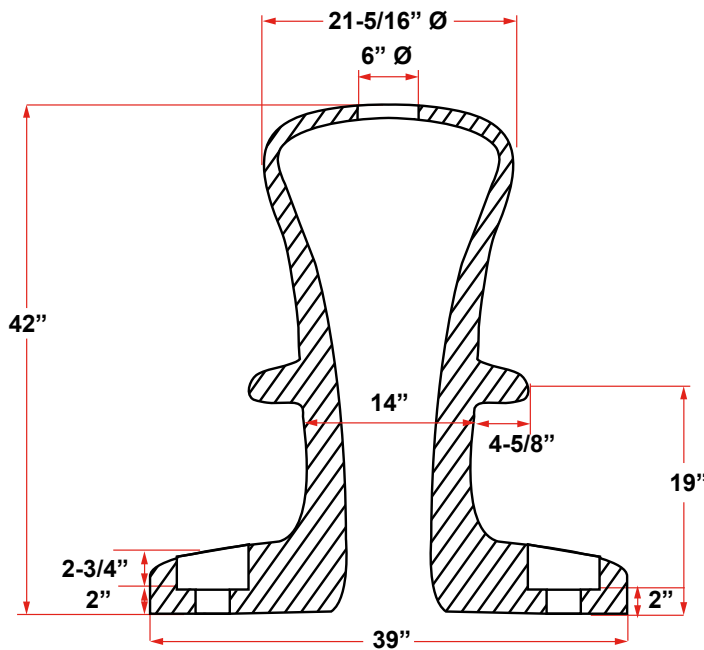
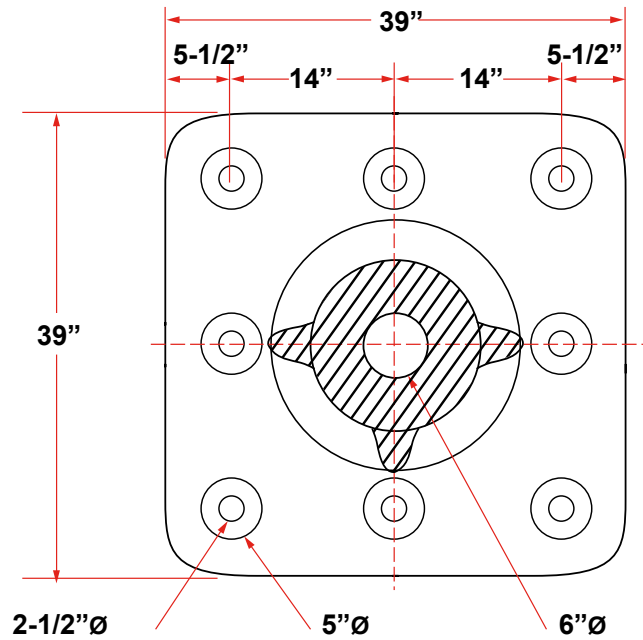


2-3/8" Ø CORE FOR
2-1/4" Ø BOLT

100 TON BOLLARD AMB-100

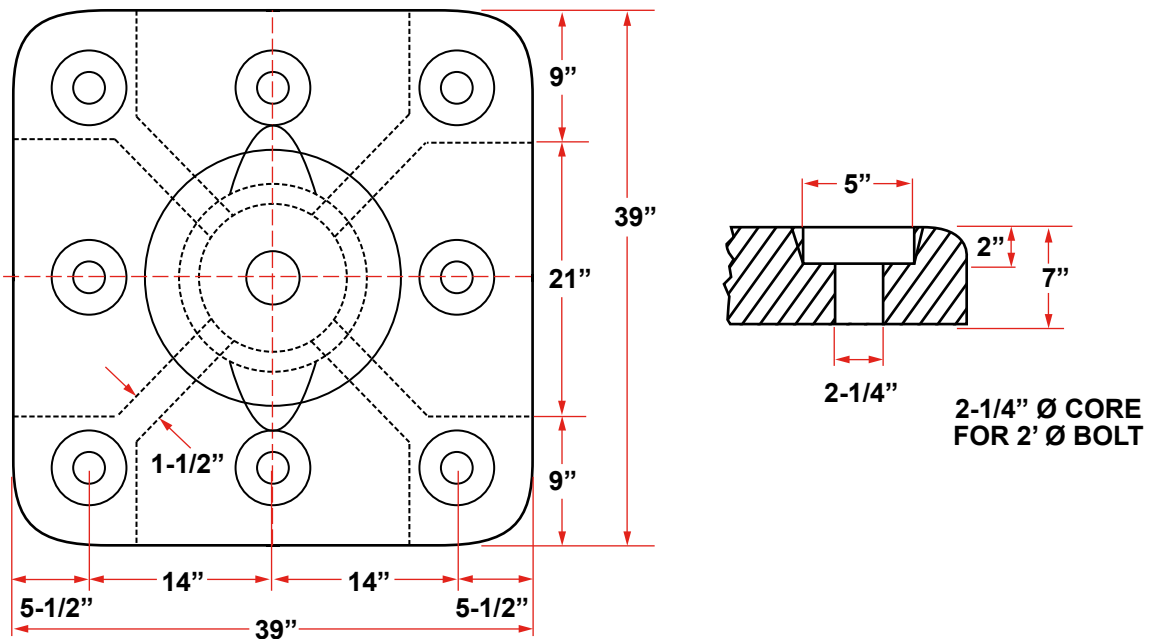
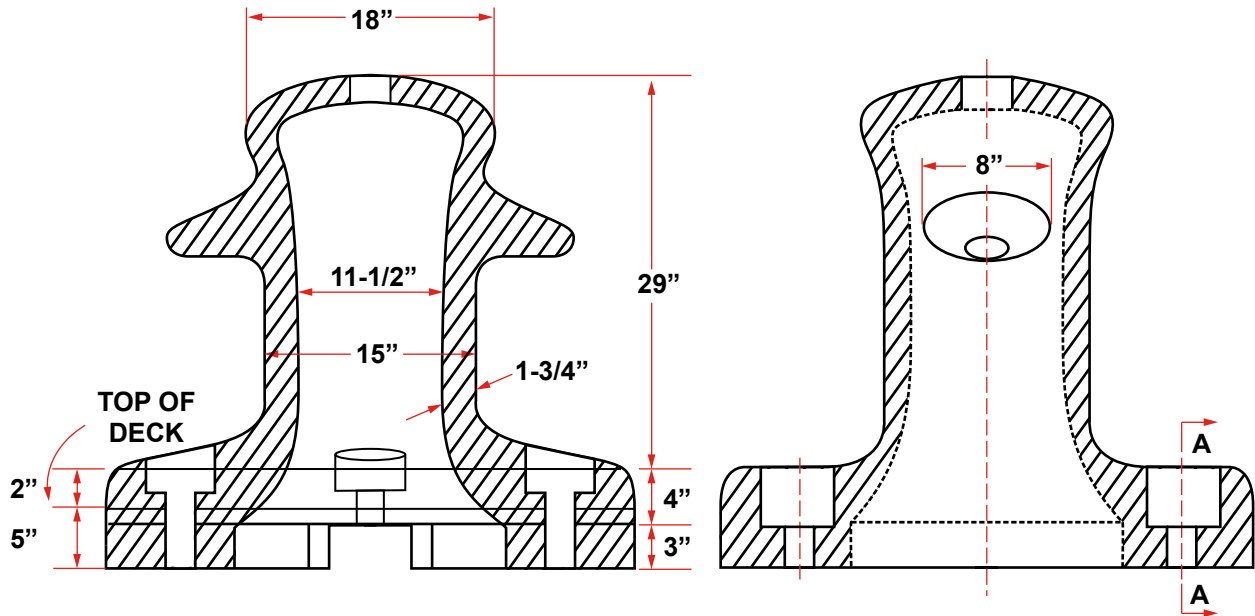


**100 TON BOLLARD
 AMB-100A**

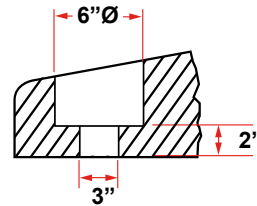
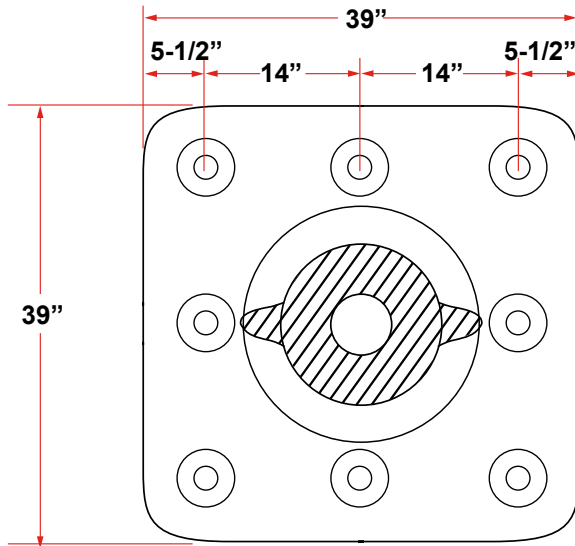


2 1/2" Ø CORE FOR
2-1/4" Ø BOLT

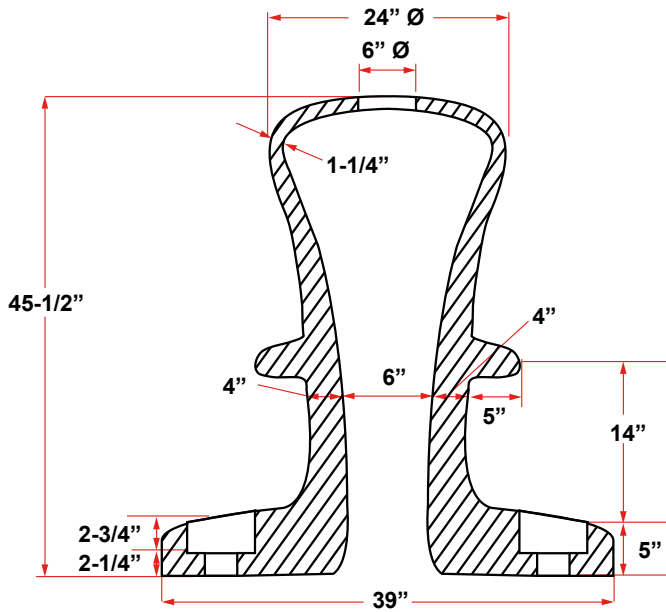
100 TON BOLLARD AMB-100B



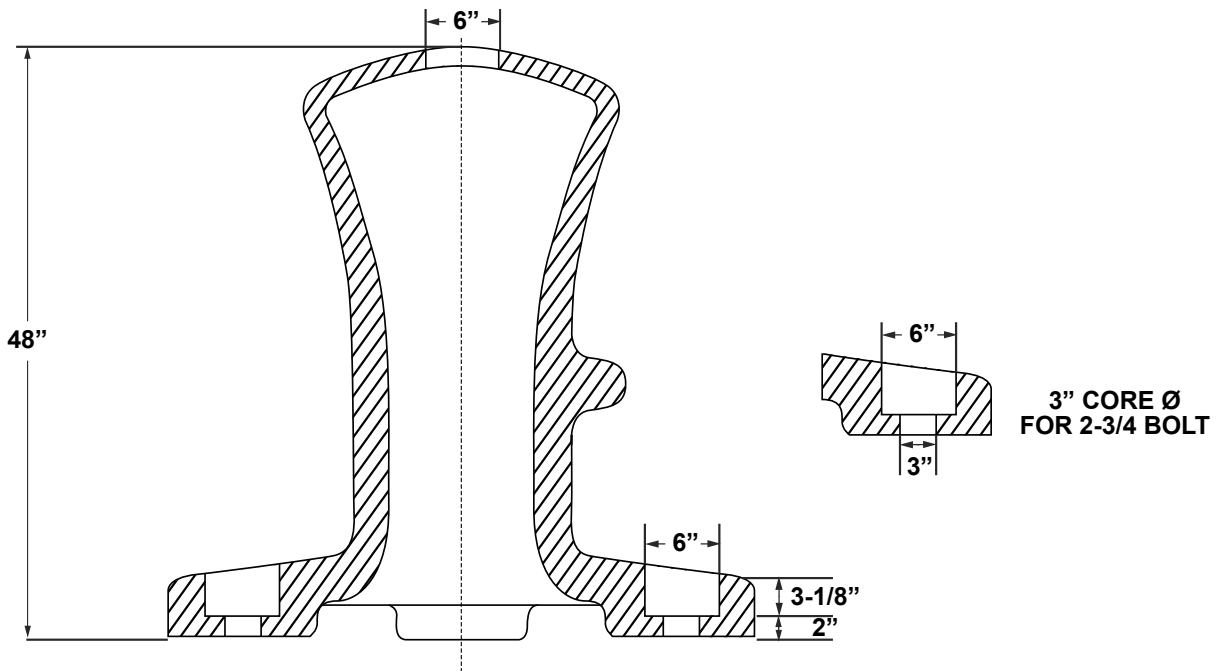
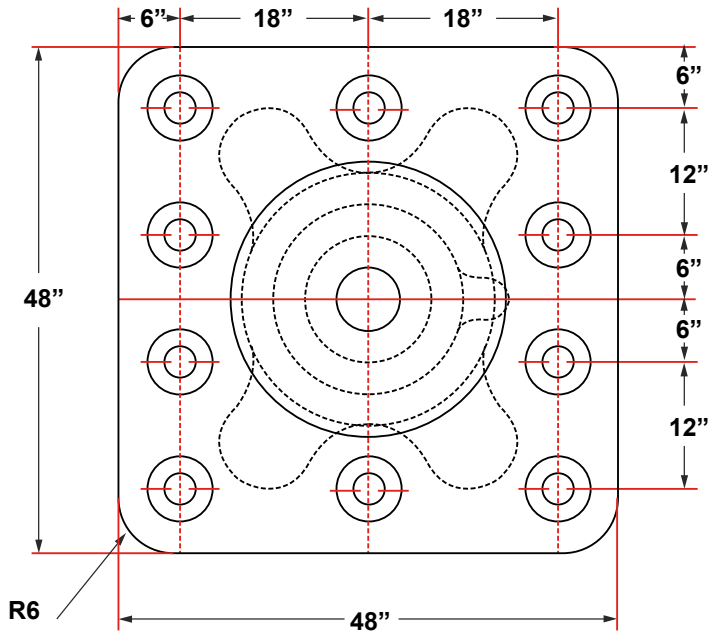
125 TON BOLLARD AMB-125



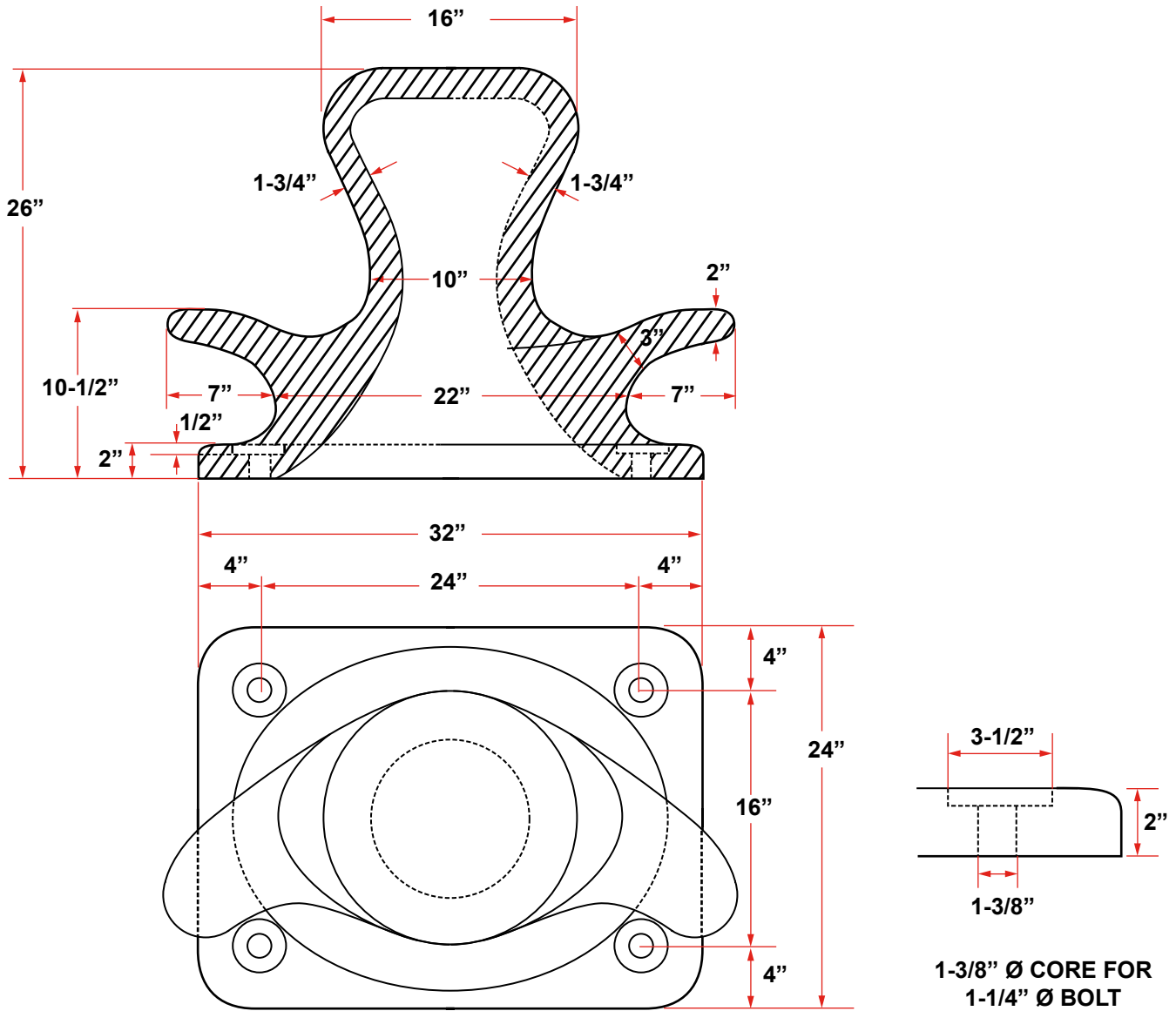
3" Ø CORE FOR
 2-3/4" Ø BOLT



150 TON BOLLARD AMB-150



**225 TON BOLLARD
 AMB-225**



MOORING BITT MB-10.2432